

INAX1

Inclinometer for the precise inclination angle measuring



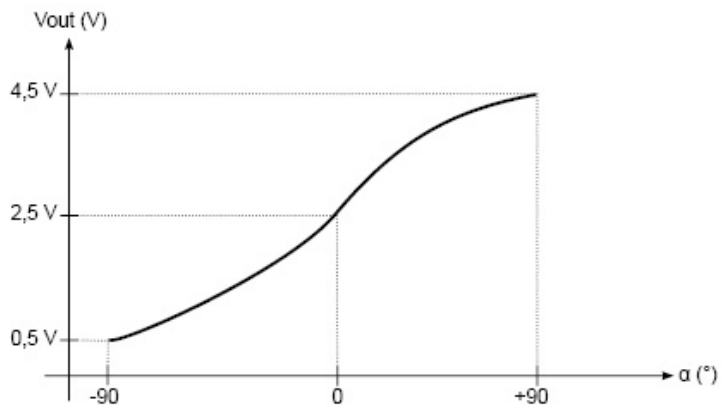
- Permits measurement of 1-dimensional inclinations
- Measuring range +/- 90°
- Compact, rugged design
- Easy mounting
- High shock resistance
- Analog output 0,5 - 4,5 V

INAX1 - inclinometer for the measurement of tilt angles

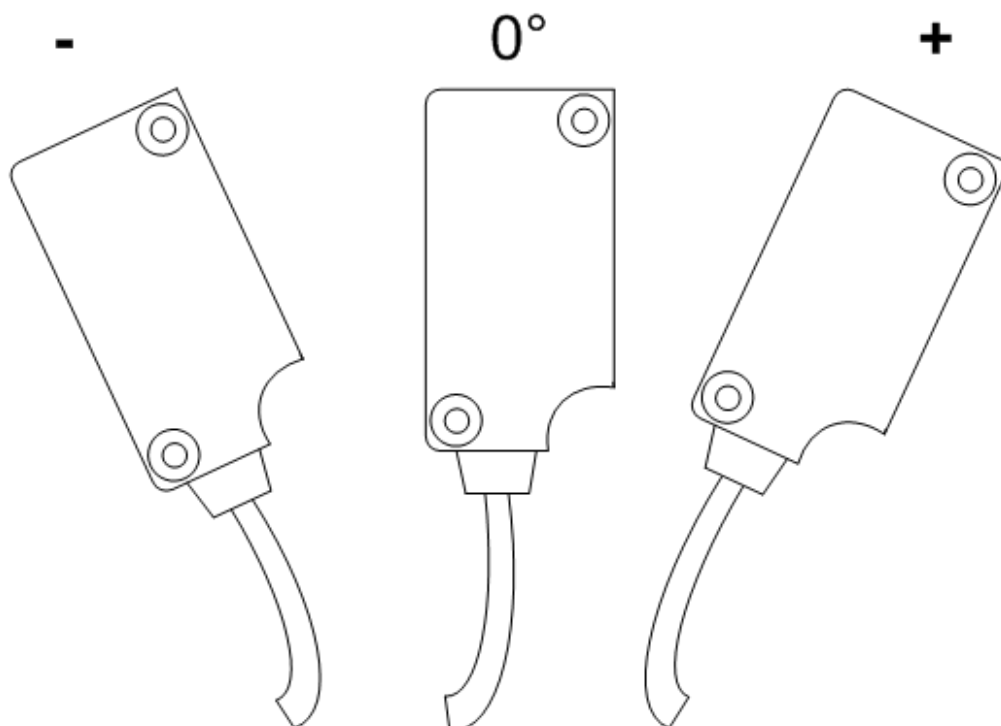
General: The 1-axis inclinometer INAX1 can realize tilt angle measurements. INAX1 can measure an angle range from $\pm 90^\circ$. Due to its high protection class IP67 it is suited perfectly for measurement in rough environments. INAX1 stands out because of its easy mounting and high shock resistancy.

The inclinometric measurement works by placing a seismic mass between two capacitor plates. An electrostatic feedback defines the change in inclination of the sensor. This electrostatic feedback is converted into output signals by an integrated circuit.

Output Signal



Tilt Angle

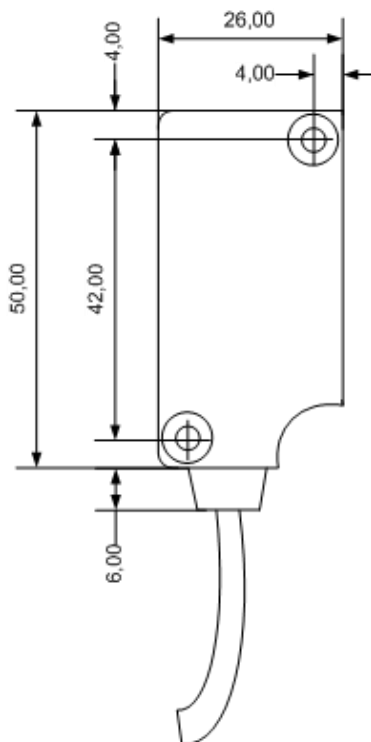


Technical data:

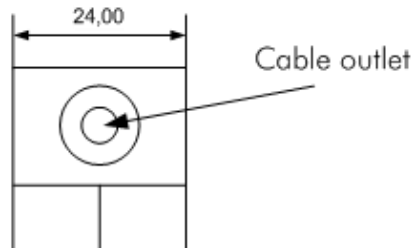
Mechanical data	
Measuring principle	Inclinometer
Sensor housing	Zinc diecast
Housing dimensions	56 x 24 x 26 mm
Measuring range	+/- 90°
Connection type	Open cable ends
Weight	INAX1: approx. 60 g without cable Cable: approx. 60 g per meter
Environmental conditions	
Storage temperature	-25... +85 °C
Operation temperature	-10... +70 °C (-25... +85 °C) on request
Protection class	IP67
Electronic data	
Power supply	+10-30 VDC or +5 VDC
Residual Ripple	10 - 30 V: < 10 %
Current consumption	<= 4 mA
Accuracy	+/- 7 % (valid for the range +/- 70 °)
Interface	Analog 0,5 ... 4,5V
Load resistance	>= 10 kOhm
Sensor cable	2 m standard cable length, 3-pin shielded, Others on request, Suitable for drag chain

Dimensions:

Side view:



Topview on the cable outlet:



Order reference:

INAX1 - A A - B B B - C C C C - D D D D D D - E E

A SN-Number
00 0.. 99

B Signal cable length (cable length in dm)
020 2.0 m

C Axes
1500 1 Axis

D Interface
Analog 0.5 ... 4.5V

E Power supply
24 24 VDC
05 5 VDC

